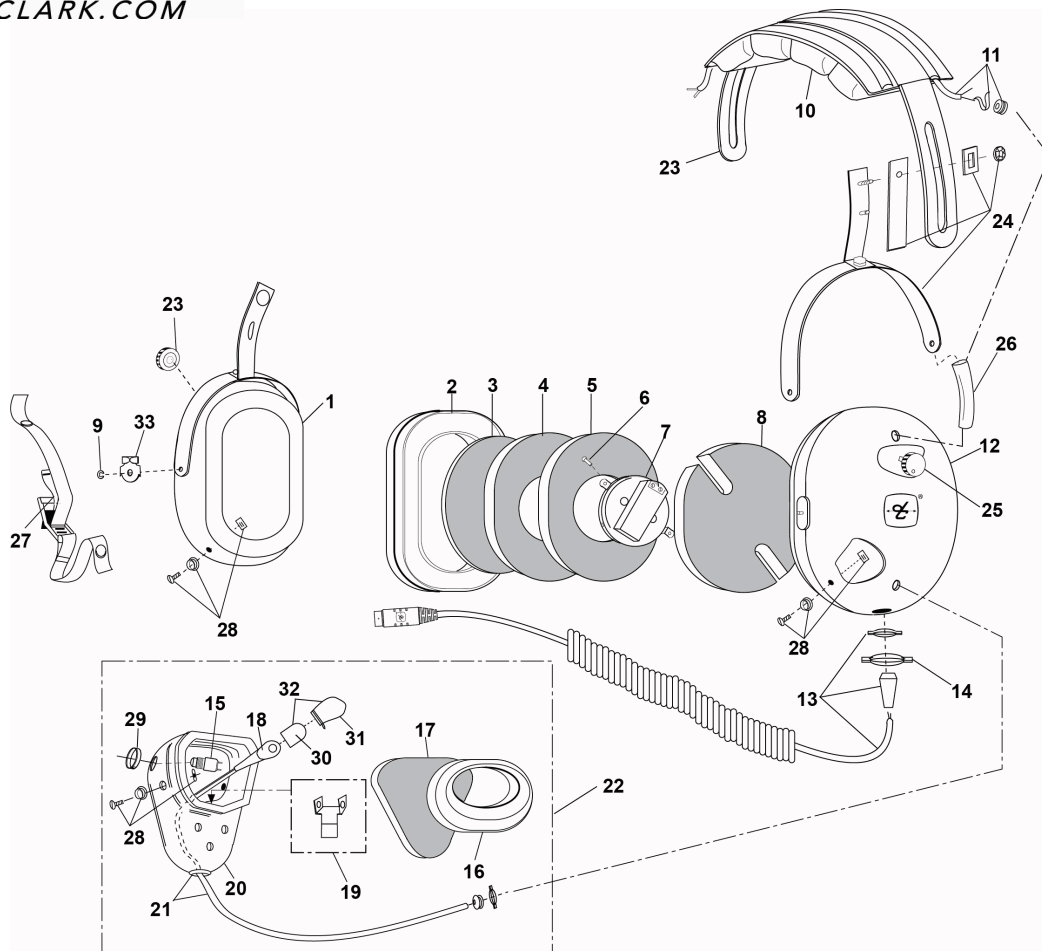


**PARTS LIST
MODEL H9910**


No.	Description	Part No.
1	Dome, Right	11353P-77
2	Undercut Gel Earseal (pair)	40863G-02
3	Filter (1 each)	14096P-09
4	Dome Filter (1 each)	14096P-05
5	Dome Filter	25629P-03
6	Screw (10/pk)	13180P-07
7	Earphone Assembly	10376G-93
8	Dome Filter	26475P-02
9	Retaining Ring (10/pk)	00009M-03
10	Headpad Assy	40075G-02
11	Overhead Cord	18741G-47
12	Dome, Left	11353P-76
13	Comm Cord Assy Kit	40599G-98
14	Clamp, Circle (10/pk)	24433P-20
15	Push-To-Talk Switch	26619P-29
16	Cushion, Mic Shield Assy	18417G-02
17	Mic Shield Filter (1 each)	24653P-02

No.	Description	Part No.
18	Microphone M-2H 5 OHM	09168P-75
19	Microphone Bracket Assy Kit	18317G-02
20	Microphone Shield	11389P-22
21	Microphone Cord Assembly	18867G-25
22	Shield Assy with Microphone	18226G-11
23	Headband Spring	15093P-01
24	Stirrup Assembly	22378G-01
25	Volume Control	09349P-57
26	Heat Shrink Tube (10/pk)	18326G-02
27	Adjustable Strap Assembly	10479G-02
28	Snap Stud Kit	18314G-02
29	Guard, Push Button	26553P-01
30	Screen, Wind, Mic	15074P-08
31	Windscreen Cover w/Tie	18792G-03
32	Mic Protector/Windscreen Kit	41090G-20
33	Dome Stop	15097P-01

ELECTRICAL SCHEMATIC MODEL H9910

